



S V INDUSTRIES



QUALITY PAYS BETTER AND EVER

S V Industries offer most efficient and economic range of positive Displacement Rotary Gear Pumps under the brand name "S V INDUSTRIES" having special features, simple & compact design, Low noise, high efficiency, Easy to maintain, Reliable and low cost. "S V INDUSTRIES" Rotary Gear Pump are ideal for Chemical, Petrochemical, Food, Oil, Steel, Refining, Paints, Dairy, Sugar, & Pharmaceutical Industries. The pumps are useful for handling viscous liquids i.e. all kinds of oils, viscous chemicals & food application.

PERFORMANCE TABLE

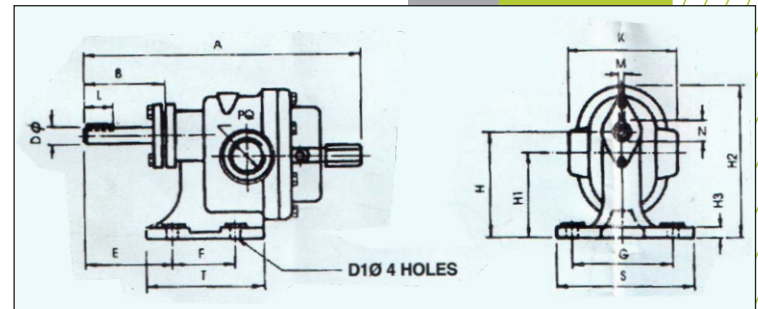
PUMP MODEL	SUCTION & DELIVERY	CAPACITY AT 1440 RPM			RECOMMENDED MOTOR BHP AT DIFFERENTIAL PRESSURE (KG/CM ²) WITH 1500 SSU VISCOSITY											WT. OF (APPROX.) BARE PUMP IN KG.
		LPM	US GPM	M ³ /hr	Kg/cm ²	1	2	3	4	5	6	7	8	9	10	
SV-050	1/2" X 1/2"	20	5.3	1.2	KW	0.30	0.35	0.40	0.45	0.50	0.55	0.60	0.65	0.70	0.75	2.2
					HP	0.5			0.75			1.0				
SV-075	3/4" X 3/4"	30	7.92	1.8	KW	0.37	0.45	0.54	0.62	0.69	0.77	0.85	0.92	1.01	1.09	4.2
					HP	0.75			1.0			1.5				
SV-100	1" X 1"	50	13.2	3.0	KW	0.40	0.50	0.60	0.75	0.89	1.04	1.117	1.30	1.46	1.59	5.0
					HP	1.0			1.5			2.0				
SV-125	1 1/4" X 1 1/4"	75	19.8	4.5	KW	0.7	1.2	1.4	1.5	1.9	1.95	2.15	2.35	2.55	8.0	
					HP	1.5			2.0			3.0				
SV-150	1 1/2" X 1 1/2"	110	29.0	6.6	KW	1.05	1.95	2.10	2.40	2.65	2.95	3.25	3.60	3.75	9.5	
					HP	2.0			3.0			5.0				
SV-200	2" X 2"	225	59.4	13.5	KW	2.0	3.2	3.75	4.3	4.55	5.6	6.2	6.9	7.11	17.2	
					HP	3.0			5.0			7.5				
SV-250	2 1/2" X 2 1/2"	350	92.5	21.0	KW	4.15	6.1	7.3	8.2	9.1	10.3	11.2	12.1	12.25	28.5	
					HP	5.0			10.0			12.5				
SV-300	3" X 3"	500	131.6	30.0	KW	4.5	8.4	9.9	11.1	12.1	13.0	13.9	14.9	15.9	40.0	
					HP	10			15			20				

MATERIAL OF CONSTRUCTION

PART	STANDARD
Body	IS.210 FG 220 C.I. Grade
Back Cover	IS.210 FG 220 C.I. Grade
Gears	EN-8
Shaft	SAE-8620 H.G.
Bearing	Non Ferrous
(Bushes)	
Seal	Neoprene oil seal

Pressure relief valve will be provided in all models

DIMENSIONS



MODEL	A	B	E	F	G	S	T	H	H1	H2	H3	L	M	N	DØ	D1Ø	K	PQ
SV-050	172	46	51	40	70	90	70	63	50	90	6	22	4	13.5	12	8	70	1/2" B.S.P.
SV-075	215	54	63.5	45	85	110	80	80	66	115	8	25	5	16.0	14	10	90	3/4" B.S.P.
SV-100	236	64	64.5	50	93	125	95	90	73	128	8	27.5	5	19.5	17	10	86	1" B.S.P.
SV-125	266	70	65	60	105	140	110	100	79	140	10	32	6	22.5	20	12	100	1 1/4" B.S.P.
SV-150	290	75	80	70	115	150	130	110	88	155	12	35	6	24.5	22	12	108	1 1/2" B.S.P.
SV-200	360	98	92	100	140	180	160	132	105	192	15	40	8	28	25	15	142	2" B.S.P.
SV-250	420	110	110	120	155	200	185	145	114	215	18	45	8	31	28	17	160	2 1/2" B.S.P.
SV-300	455	125	120	140	180	235	205	160	124	235	20	50	8	33	30	17	170	3" B.S.P.

All dimensions are in millimetres. Unless otherwise stated specification are subject to change without prior notice as improvements are made from time to time

CONVERSION: 1 Imperial gallon = 4.5Liters 1U.S. Gallon = 3.78Liters 1P.S.I. = 2.31Feet
 1Kg/Cm² = 14.2P.S.I 1Meter = 3.28Feet

76, Shrinathji Ind.estate, Nicol Kathwada Ring Road, Nr. Visala Estate, Kathwada Circle, Nicol, Ahmedabad-382430

E-mail: info@svindustries.co Web: www.svindustries.co

099254 59255,
099092 32555